

PART #DPA-940 (CSI-IR246):

TWO CHANNEL RELAY ISOLATION CARD

This card provides the DW900 device with inter-channel electrical isolation on the two 4-20mA analog inputs. This feature is useful when two 4-20mA signals from an external system are connected to the unit. The external system would provide the loop power under these conditions.

Without the Relay Isolation card fitted, the negative side of the two 4-20mA loops would be connected together, and also connected to the DW900 device's ground. In many cases this would cause one, or both, of the 4-20mA signals to be disturbed, leading to incorrect readings.

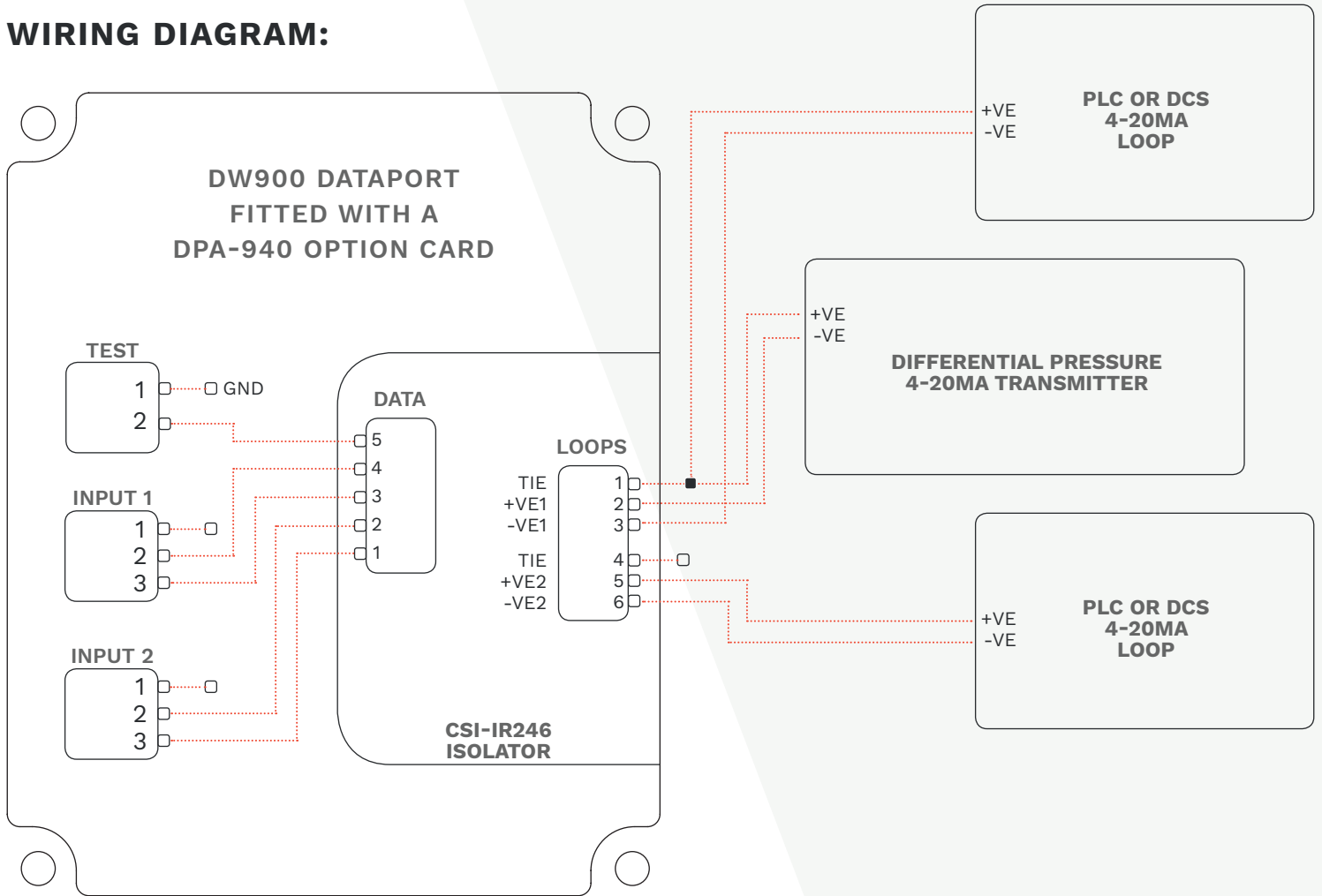
Part #DPA-940 (PCB Card #CSI-IR246)



DW900 Fitted with
DPA-940 Option Card



WIRING DIAGRAM:



NOTES:

1. The DPA-940 card has three separate connectors that plug into the connectors labeled TEST, INPUT1, and INPUT2 on the main PCB

ELECTRICAL SPECIFICATION:

Analog Inputs	4 – 20 mA
Loop Power	External, e.g. by PLC