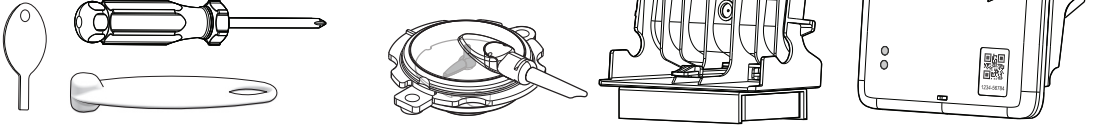


ANOVA

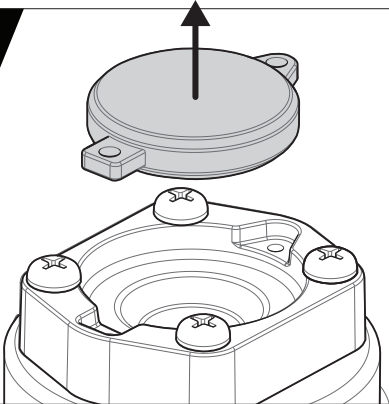
Connecting the industrial world – for better.

ANOVA UNIVERSAL TANK MONITOR® - MAGNETIC MOUNT SC645

PARTS REQUIRED:



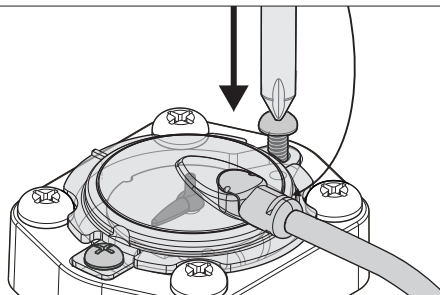
01



RECORD READING & REMOVE OLD DIAL

02

⚠️ ENSURE ADAPTER RECESS IS ALIGNED UNDER THE CABLE

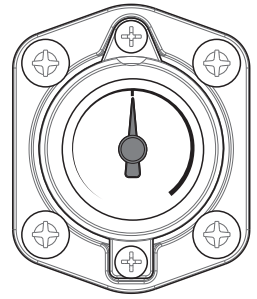


INSTALL SENDER. REFER TO SC645 SENDER INSTALL GUIDE FOR ALTERNATE GAUGE INSTRUCTIONS

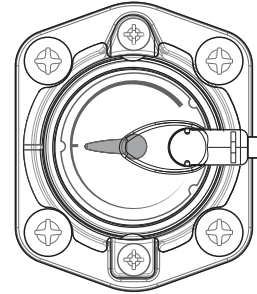
03



CRITICAL TO COMPLETE BEFORE PROCEEDING



OLD DIAL = 50%



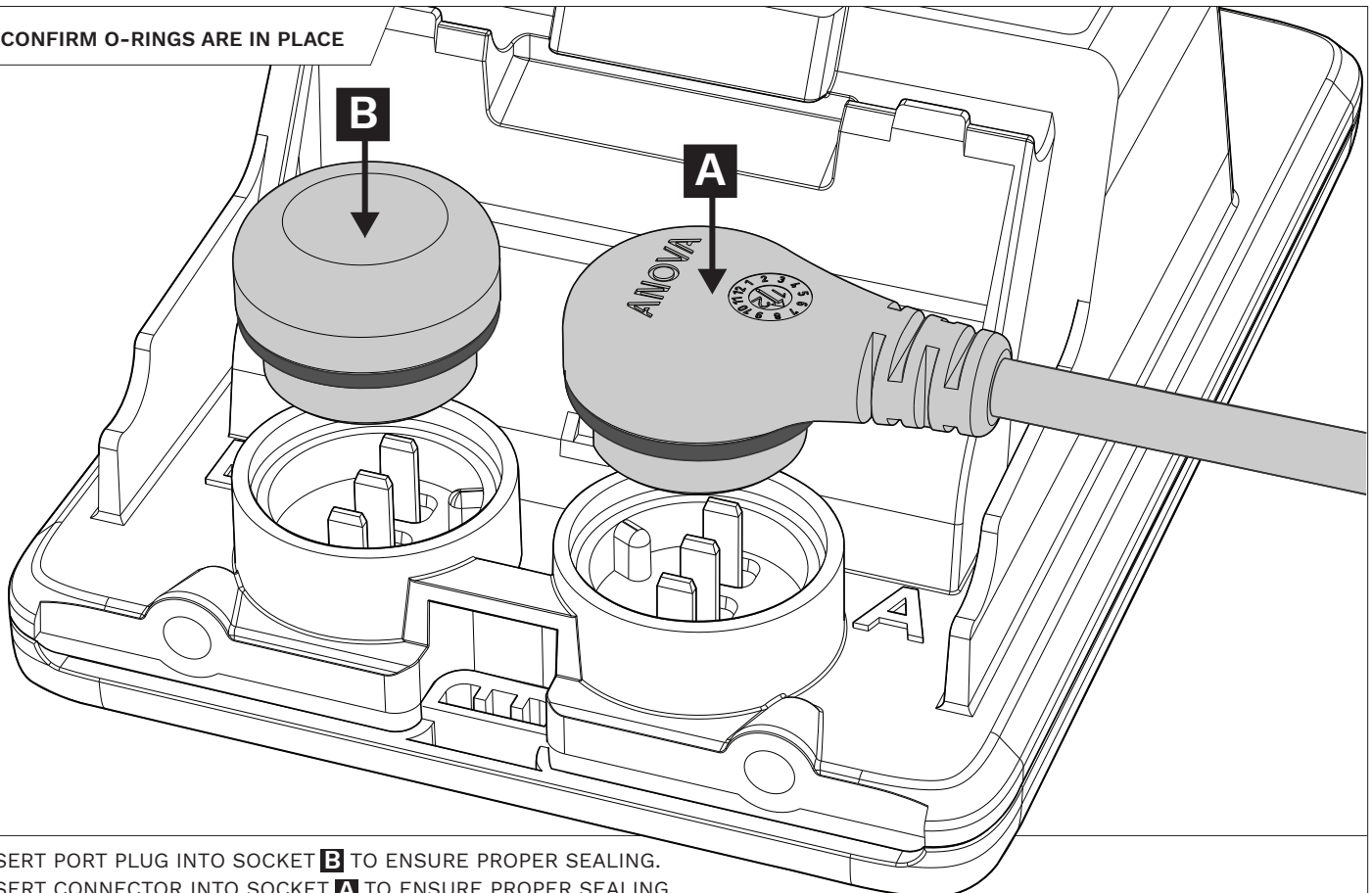
NEW SENDER = 50% ✓

CONFIRM READING IS IDENTICAL

04



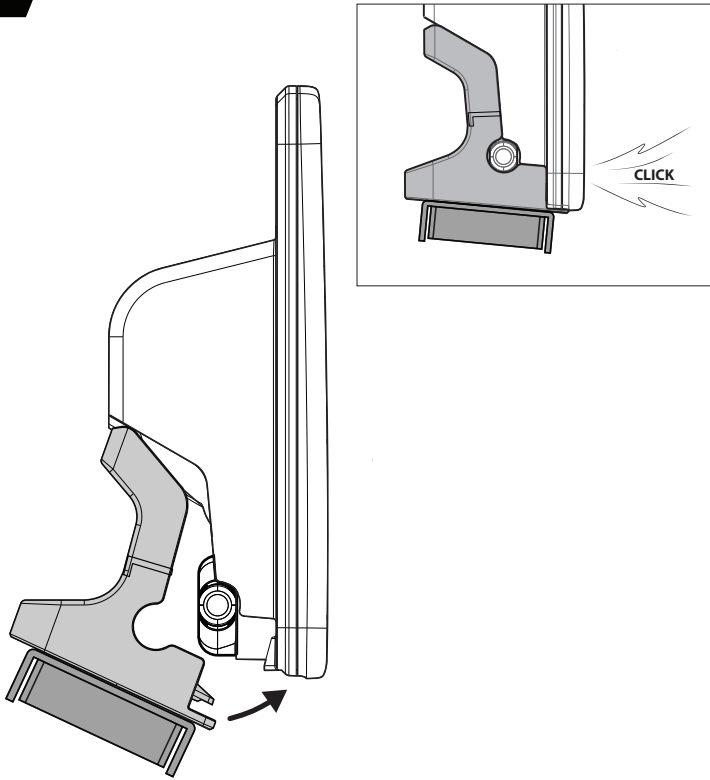
CONFIRM O-RINGS ARE IN PLACE



FIRMLY INSERT PORT PLUG INTO SOCKET **B** TO ENSURE PROPER SEALING.
FIRMLY INSERT CONNECTOR INTO SOCKET **A** TO ENSURE PROPER SEALING.

THE UTM WILL BEGIN TO ACTIVATE AUTOMATICALLY; WATCH FOR SOLID GREEN TO CONFIRM SUCCESSFUL COMMUNICATION.

05

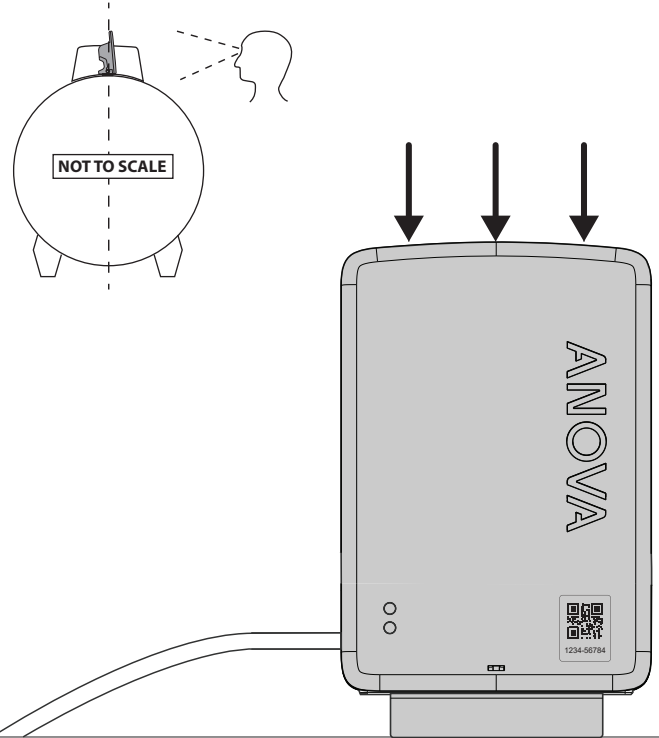


ATTACH BRACKET

06



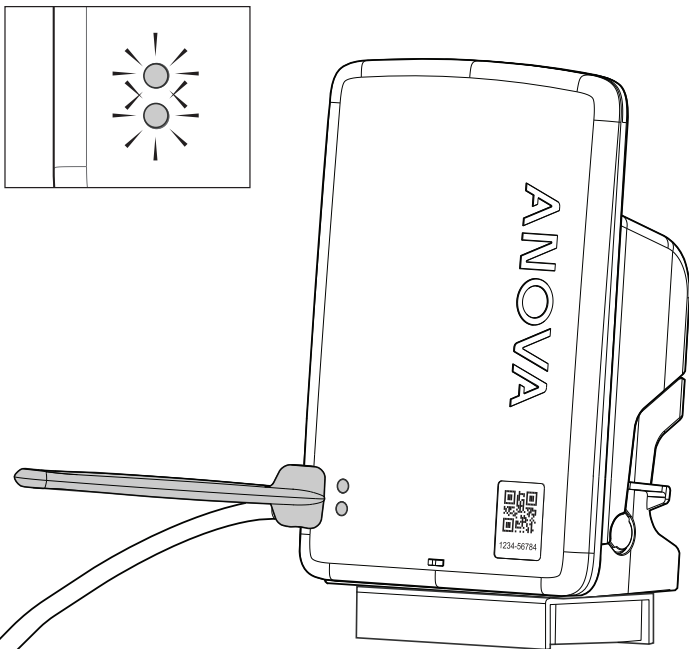
FOR RELIABLE COMMUNICATIONS, SELECT LOCATION NOT CLOSER THAN 15cm / 6" FROM METAL FITTINGS (E.G. TANK LID)



ALIGN ON TANK CENTRAL AXIS

07

OPTIONAL



IF MANUAL ACTIVATION IS REQUIRED, HOLD THE ACTIVATION WAND IN PLACE FOR 6 SECONDS. WATCH FOR SOLID GREEN TO CONFIRM SUCCESSFUL COMMUNICATION

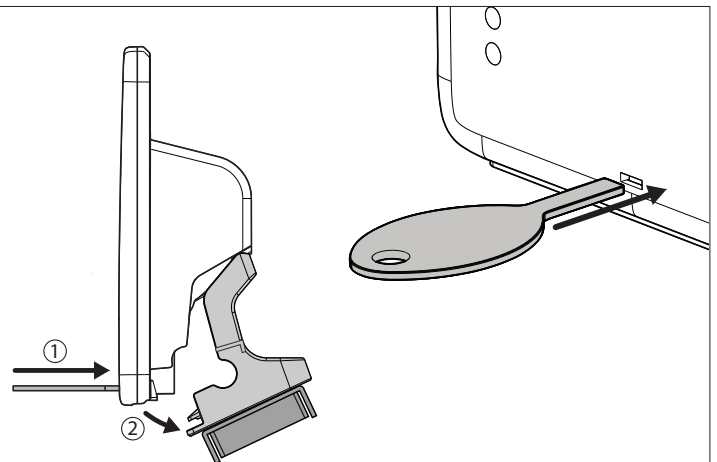
FOR ADDITIONAL INSTALL OPTIONS, SUPPORT AND ENQUIRIES, PLEASE CONTACT ANOVA:

E: WESROCSupport@anova.com

T: (844) 493-7762



HAZARDOUS AREA CONTROL DRAWING AD000029 SUPPLIED BY ANOVA ON REQUEST.



IF BRACKET REMOVAL IS REQUIRED DURING SERVICE OR INSTALL, INSERT REMOVAL KEY INTO KEYSLOT